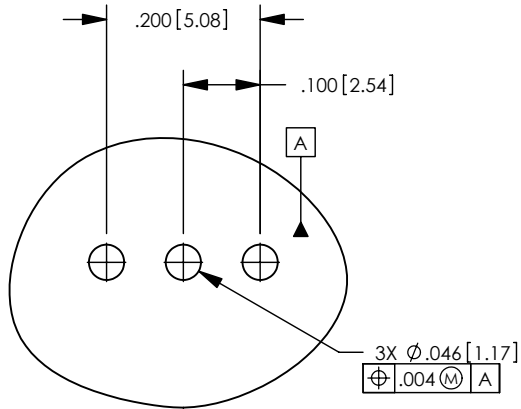
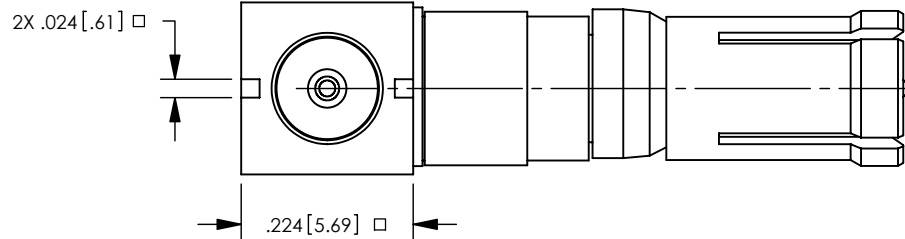
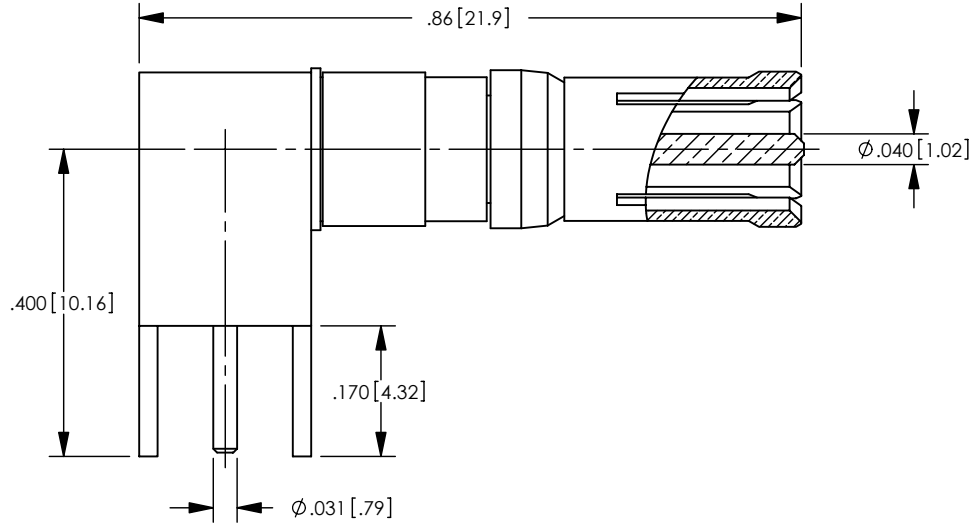
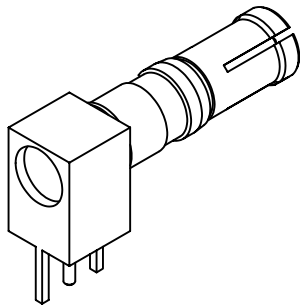


NOTES: UNLESS OTHERWISE SPECIFIED
 1. FOR GENERAL SERIES SPECIFICATIONS, SEE SD31-0000.

2. MATERIAL SPECIFICATIONS:
 REAR BODY & CONTACT: BRASS PER ASTM B16
 FRONT BODY: BERYLLIUM COPPER PER ASTM B16
 CLIP RING: BERYLLIUM COPPER PER ASTM B194
 INSULATOR: TEFLON PER ASTM B194

3. FINISH SPECIFICATIONS:
 BODIES & CONTACT: .000030 MIN. GOLD PER MIL-G-25204
 OVER .00050 NICKEL PER SAE-AMS-QQ-N-290
 CLIP RING: .000100 MIN. NICKEL PER SAE-AMS-QQ-N-290
 OVER COPPER FLASH

REV	DESCRIPTION	BY DATE	APPD
A	RELEASED PER ECR-ER5201	CMB 11/09/07	CMB



RECOMMENDED PCB LAYOUT
 COMPONENT SIDE SHOWN

CATALOG P/N: 313-010-6140G

PER ASME Y14.5M-1994 UNLESS OTHERWISE SPECIFIED: DIMENSIONS ARE IN INCHES [MM] TOLERANCES: DECIMAL: .XX [X.X] ± .01 [0.3] .XXX [X.XX] ± .005 [0.13] .XXXX [X.XXX] ± .XXXX ANGLES: ± 2° SCALE: 4:1				 Winchester Electronics Corporation 62 Barnes Industrial Road North Wallingford, Connecticut 06492	
CUSTOMER DRAWING					
DRAWN EJW	DATE 02/02/98	APPROVED PAP	DATE 02/02/98	R/A 31-SERIES RECEPTACLE	
APPROVED J.McLEOD	DATE 02/02/98	APPROVED XXX	DATE XX/XX/XX	A SD313-010-6140G	SHT 1 OF 1
				REV A	